

BLX

RS232 / RS485 to Bluetooth 5.0 converter

BLX



BLX

Transmission of the incoming data from the serial port (RS232, RS485 2W) via Bluetooth 5.0

TECHNICAL SPECIFICATIONS

SERIAL PORT INTERFACE

CATEGORY	PARAMETER
Type of interface	RS 232 (Rx, Tx, GND) RS 485 2W (A, B)
Baud rate	1200, 2400, 4800, 9600, 19200, 115200
Data bits	7, 8
Stop bits	1
Parity	None, Even, Odd, Mark
Flow control	No

BLUETOOTH INTERFACE

CATEGORY	PARAMETER
Type of radio communication	Bluetooth 5.0
The range of the connection between the transmitter and receiver (in open area)	Several hundred meters (depend of installation environment and used antennas)

CHARAKTERYSTYKA

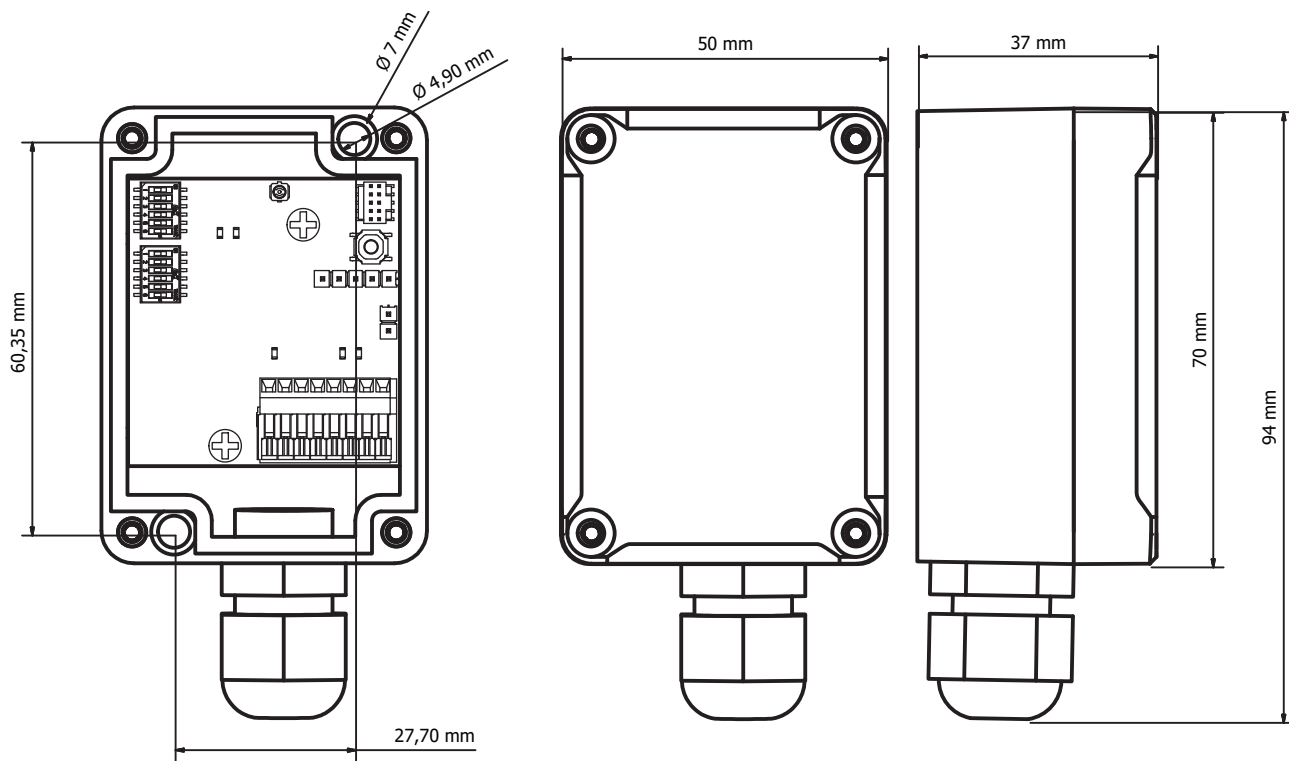
CATEGORY	PARAMETER
Power supply	5-24 VDC
Protection class IP	IP 67
Enclosure material	ABS
Number of cable glands	1
Cable gland material	ABS
Max diameter of cables fitting in cable glands	max 8 mm
Maximum number of bytes in one frame	60 bytes
Interval between two frames to be sent	100 ms

ORDERING INFORMATION

PRODUCT	ORDERING KEY
BLX - Slave	HDW-BLX-SLV
BLX - Master	HDW-BLX-MST

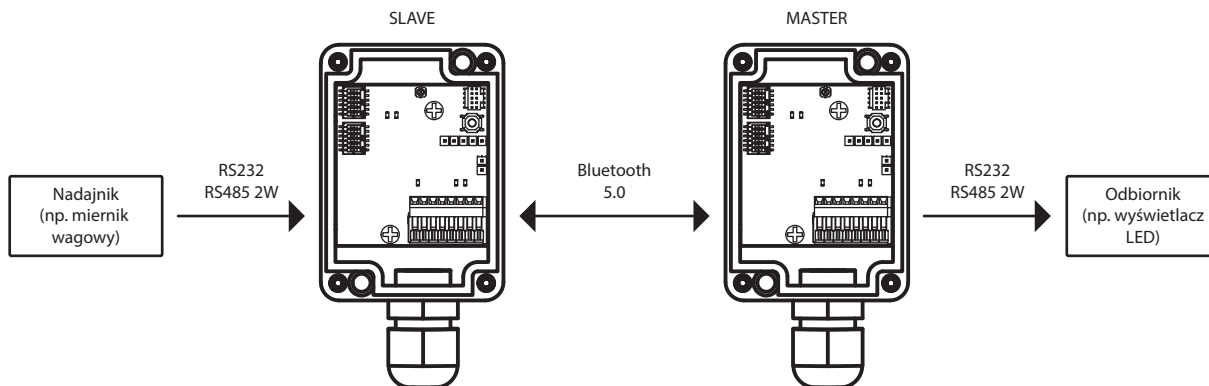
* The manufacturer reserves itself the right to amend product features. Product parameters may be amended without any prior notice.
GS Software Sp. z o.o., ul. Ogłęczyczna 20, 31-589 Kraków, Poland. More to be found at www.gs-software.pl

BLX DIMENSIONS



TYPES OF CONNECTIONS

1. Master/Slave mode



2. Slave + external Bluetooth receiver (e.g. mobile phone) mode

