

AT 01

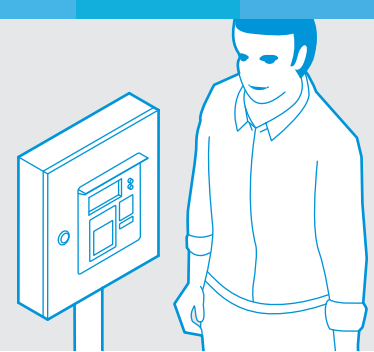
The vehicle weighing system based on a self-service terminal
(with a numeric keyboard)



 GS SOFTWARE

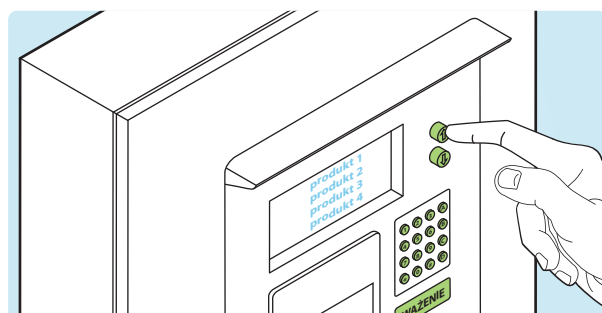
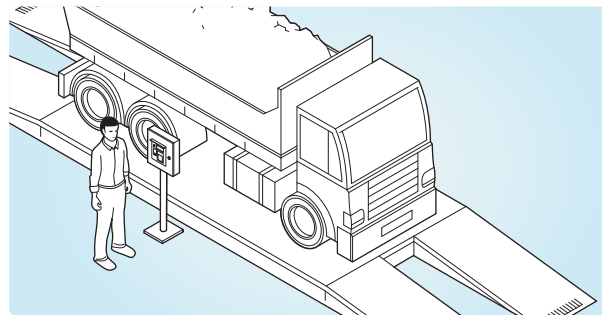
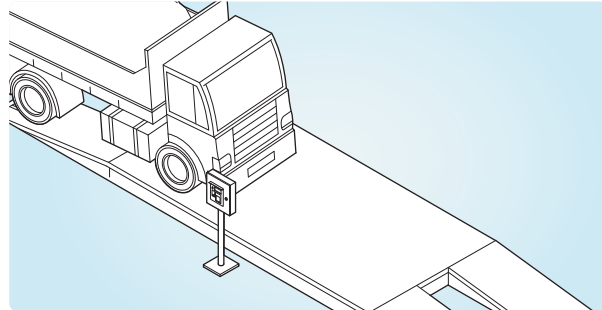
AT 01

The vehicle weighing system based on a self-service terminal (with a numeric keyboard)



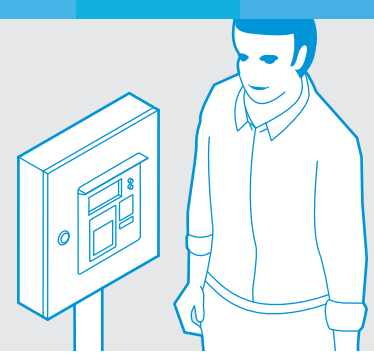
→ AT-01 System operating procedure:

1. If driver has no card entitling him to capture weight (i.e. vehicle will be measured for the first time) he proceeds to scale attendant's office to register into system. After registering, he receives card and goes towards the scale.
2. Vehicle moves onto scale.
3. Driver steps out from vehicle, approaches unattended weighing terminal and swipes a card in front of RF reader.
4. After positive contractor identification, vehicle registration number is displayed along with company name to which a card and product is assigned.
5. Driver selects certain method of weighing (tare, single, double) or changes a product selected to be weighed. Products can be scrolled through the list by up/down buttons or by entering code on a keyboard. After selecting a product, driver starts weight-measuring process.
6. When measurement is stable, weight result is saved in database - through the display driver is informed that weighing is completed.
7. In the event of double weighing (entrance/exit) automated weighing system detects that the first weighing has been already performed and automatically calculates a load net weight.



AT 01

The vehicle weighing system based on a self-service terminal (with a numeric keyboard)









➔ System AT-01 includes:

- Unattended weighing terminal in a metal casing containing following elements:
 - ➔ steering module with LCD 4x20 digit display
 - ➔ proximity card reader
 - ➔ air-tight keyboard (16 characters)
 - ➔ air-tight keyboard for scrolling through list of products (2 buttons: up/down)
- Software
- Proximity card reader on a desk – USB connector
- 100 proximity cards

i System AT 01 turns out to be particularly useful among companies with medium traffic flow on truck scales.

i Unattended weighing terminal allows to perform a weighing on a bi-directional scale.

➔ Additional features:

-  Taking photos while recording the weight result
-  Industrial printer with the cut-off
-  External diode display
-  Vehicle position adjustment mechanism
-  Possibility to steer traffic control signals and barrier gates
-  Vehicle weight recognition module
-  Online data access
-  Network (e.g. connecting entrance and exit scale)
-  System customization available on request